



PRESENTATION TO SASKPOWER'S BOARD OF DIRECTORS

RUMINA VELSHI, PRESIDENT AND CEO
CANADIAN NUCLEAR SAFETY COMMISSION
SEPTEMBER 1, 2021



CANADIAN NUCLEAR SAFETY COMMISSION (CNSC)

- An **independent agency** of the Government of Canada – **75 years of experience**
- **Reports directly to Parliament** through the Minister of Natural Resources
- **Federal and provincial partners** have jurisdiction for related activities/aspects



OUR MANDATE

- Regulate the use of nuclear energy and materials to protect **health, safety, security** and the **environment**
- Implement Canada's **international commitments** on the peaceful use of nuclear energy
- Disseminate **objective** scientific, technical and regulatory **information** to the public



COMMISSION MEMBERS



**MS. RUMINA
VELSHI**



**DR. TIMOTHY
BERUBE**



**DR. SANDOR
DEMETER**



**MR. RANDALL
KAHGEE**



**DR. MARCEL
LACROIX**



**MS. INDRA
MAHARAJ**



**DR. STEPHEN D.
MCKINNON**

- Quasi-judicial administrative tribunal
- Agent of the Crown (duty to consult)
- Decisions reviewable by Federal Court
- Independent, part-time Commission members

EXECUTIVE COMMITTEE



**MS. RUMINA
VELSHI**
CEO



**MR. RAMZI
JAMMAL**
Executive Vice-
President,
Regulatory
Operations



**MR. PETER
ELDER**
Vice-President,
Technical
Support



**MR. STÉPHANE
CYR**
Vice-President,
Corporate
Services



**MS. LIANE
SAUER**
Vice-President
(Acting),
Regulatory
Affairs



**MS. LISA
THIELE**
Senior General
Counsel



**MR. MARC
LEBLANC**
Commission
Secretary

CNSC ACROSS CANADA

Human resources

Approximately **900** full-time equivalents

Financial resources

CAD \$168 million

70% cost recovery; **30%** appropriation

Licensees

1,700

Licences

2,500



OUR REGULATED FACILITIES AND ACTIVITIES



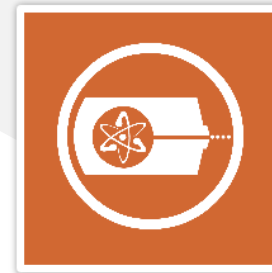
Uranium mines and mills



Uranium fuel fabrication and processing



Nuclear power plants



Nuclear substance processing



Industrial and medical applications



Nuclear research and educational activities



Transportation of nuclear substances



Nuclear security and safeguards



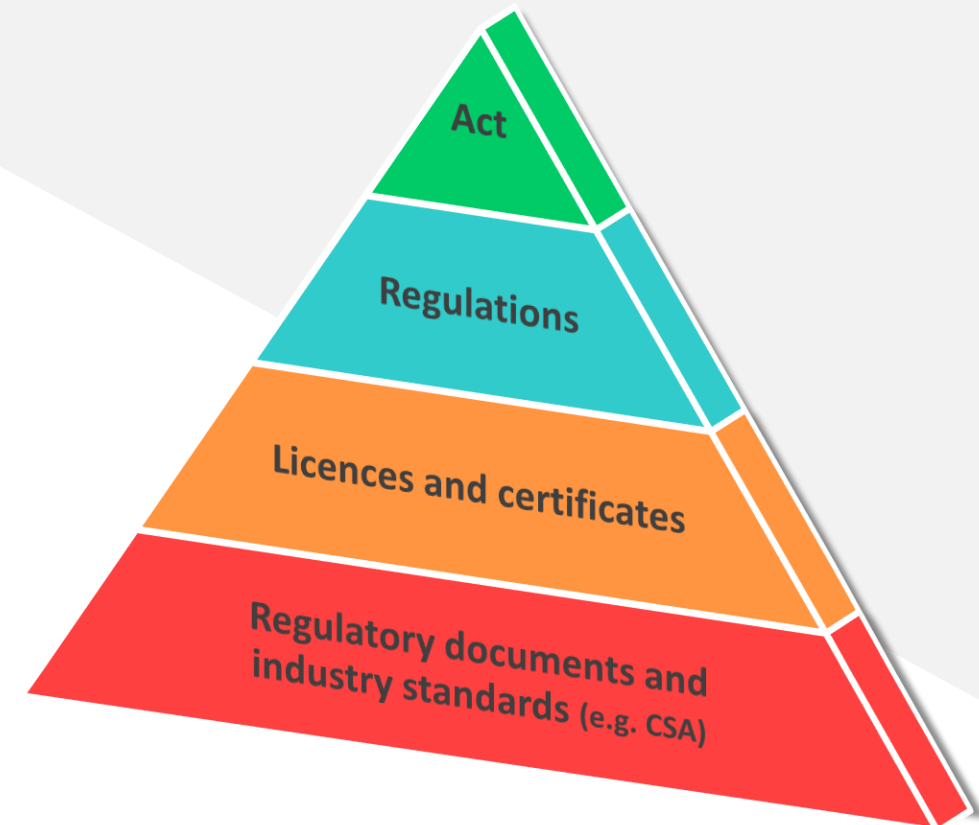
Import and export controls



Waste management facilities

INTERNATIONALLY RESPECTED REGULATORY FRAMEWORK

- Technology neutral, graded approach
- Licensees are responsible for safety and must comply with all licence conditions
- CNSC staff verify compliance through monitoring, inspection and reporting



STRATEGIC PRIORITIES



Modern regulator

*Science-based
Risk-informed
Readiness*



Trusted regulator

*Independent
Transparency
Participation*



Global nuclear influence

*Safety
Collaboration
Leadership*



Agile organization

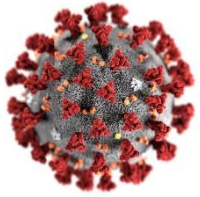
*Highly skilled
Diverse and inclusive
Equity*



ADVOCATING FOR WOMEN IN STEM / GENDER EQUITY / INCLUSIVITY

- Women in STEM (WiSTEM) initiative
- Driving Advancement of Women in Nuclear (DAWN) initiative
- International Gender Champion Impact Group





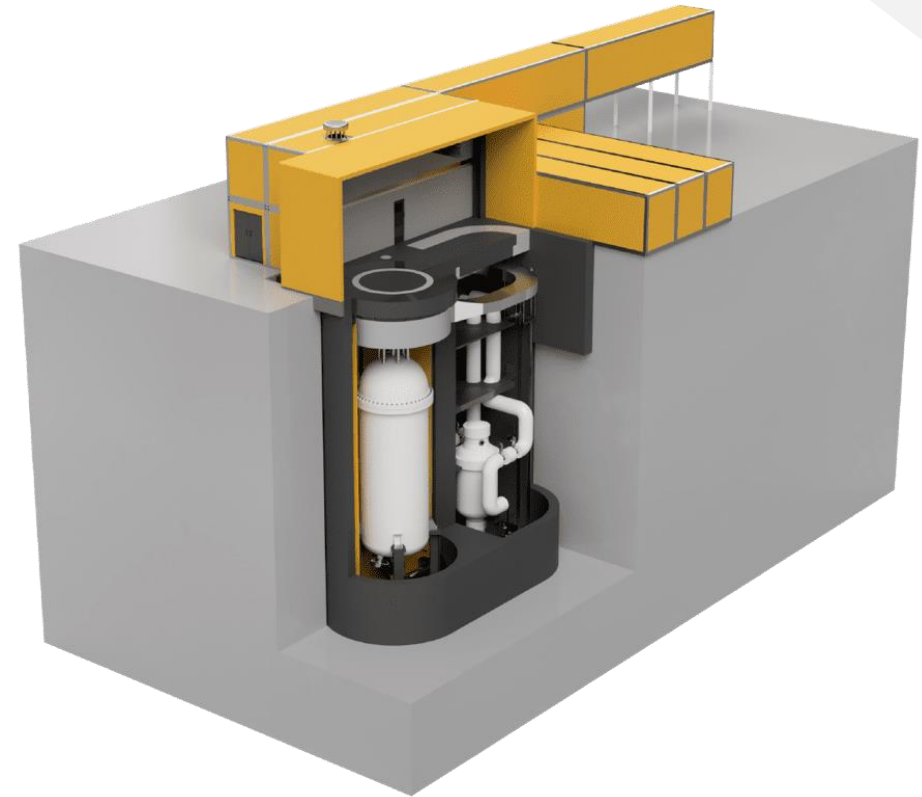
COVID-19 RESPONSE

- Changes to how we work and regulate
- Uninterrupted oversight and safety
- Greater trust in and dependency on licensees



SMR READINESS

- Vendor design reviews
- Regulatory Framework review
- Staffing
- International collaboration / harmonization



OTHER AREAS OF FOCUS

- Major projects
- Future readiness
- Strengthening public trust
- Waste management
- Safety culture



JOIN THE CONVERSATION



nuclearsafety.gc.ca

